



Details

Undersurfacing

Area - Approx 127 sqm

Material Specifications

- Posts - Powder-coated galvanised 75mm SHS steel (aluminium option)
- Caps - Powder-coated cast aluminium
- Frames - Powder-coated galvanised steel
- Fixings - M10 stainless steel Torx security bolts
- Platforms - Powder-coated reinforced 3mm aluminium
- Slides - Rotationally moulded PE
- Nets - Galvanised steel cored nylon combination rope
- Shop Counter - Powder-coated aluminium, HDPE plastic
- Climbers - Powder-coated galvanised steel
- Accessories - Various
- Panels - HDPE

Pack includes:

- 6 'Deckionary' Platforms
- Honeycomb Climber
- 2 Bigfoot Double Slides
- 2 Rope Escalators
- Ship's Wheel Spinner
- Angled Rung Ladder
- 3 HDPE Fence Panels
- 2 Stepped Fences
- 2 Grocers Scales
- 4 Port Hole Panels
- Twin JumpTouch Game
- Walk-the-Plank
- 2 Arched Bridges
- 2 Slide Wave Bars
- Bubbleboo Panel
- Alphabet Panel
- Rope Scramble Net
- 2 Cash Registers
- 2 Flower Talk Tubes
- 2 Telescopes
- Illusion Spinner
- 2 Steering Wheels
- Ship's Deck
- Ship's Bow
- Fire Pole
- Vine Climber
- Binoculars
- Loud Hailer
- Shop Counter
- Squash Gauge
- Spiral Spinner
- Abacus Panel
- Grab Handles

Other required information

- Spare Parts - Available to order
- Largest Part - Slide : 3.8 x 1.6 x 0.5m
- Highest Point - 3.3m
- Heaviest Part - Slide

	0-20 kg	One person lift
X	21-40 kg	Two person lift
	41kg +	Machinery Assistance

Standards

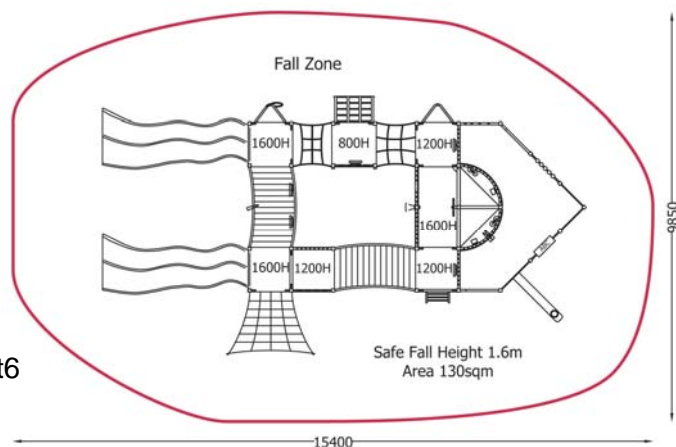
AS/NZS 4422 - 1996, AS/NZS 4486.1, AS 4685 - 2014 pt1 - pt6

Applications

- Age Group - 5+ years
- Level of Supervision - Young children should be supervised and inappropriate activities discouraged
- Playspaces - Public parks, schools, commercial play areas
- Environment - Shade preferred for user comfort and protection. Salt air environments may reduce life of steel

Vandalism Resistance - Low susceptibility

Minimum Undersurfacing Requirements





Shade roof option



Details

Undersurfacing

Area - approx 30 sqm

Material Specifications

- Posts - Powder-coated galvanised 75mm SHS steel (aluminium option)
- Caps - Powder-coated cast aluminium
- Frames - Powder-coated galvanised steel
- Fixings - M10 stainless steel Torx security bolts
- Platforms - Powder-coated reinforced 3mm aluminium
- Slide - Rotationally moulded PE
- Shade Roof (option) - Powder-coated galvanised steel

Other required information

- Spare Parts - Available to order
- Largest Part - Slide : 2.0 x 0.6 x 0.4m
- Highest Point - 1.9m (3.1m with roof)
- Heaviest Part

	0-20 kg	One person lift
X	21-40 kg	Two person lift
	41kg +	Machinery Assistance

Standards

AS/NZS 4422 - 1996, AS/NZS 4486.1, AS 4685 - 2014 pt1 - pt6

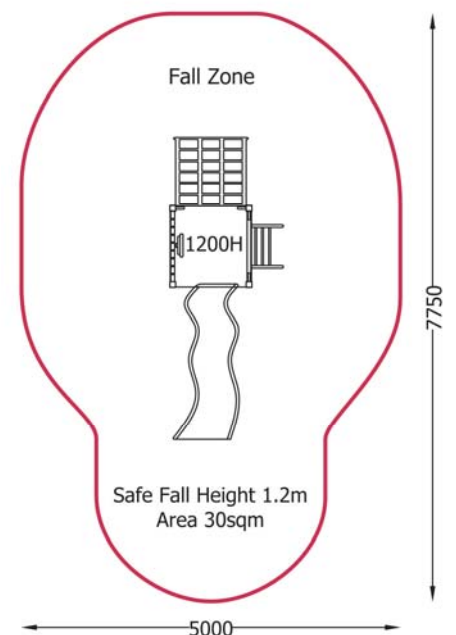
Applications

- Age Group - 3 to 7 years
- Level of Supervision - Young children should be supervised and inappropriate activities discouraged
- Playspaces - Public parks, schools, early childhood centres, commercial play areas
- Environment - Shade preferred for user comfort and protection
- Salt air environments may reduce life of steel
- Vandalism Resistance - Low susceptibility

Pack Includes:

- 'Deckionary' Platform
- Slide Sit Down Frame
- Wave Slide
- Steering Wheel
- Honeycomb Climber
- Steel Safety Fence
- Access Ladder
- Grab Handles

Minimum Undersurfacing Requirements





Shade roof option



Details

Undersurfacing

Area - Approx 29 sqm

Material Specifications

- Posts - Powder-coated galvanised 75mm SHS steel (aluminium option)
- Caps - Powder-coated cast aluminium
- Frames - Powder-coated galvanised steel
- Fixings - M10 stainless steel Torx security bolts
- Platforms - Powder-coated reinforced 3mm aluminium
- Slide - Rotationally moulded PE
- Accessories - Various
- Shade Roofs (option) - Powder-coated galvanised steel

Other required information

- Spare Parts - Available to order
- Largest Part - Slide : 2.4 x 0.7 x 0.4m
- Highest Point - 2.7m (3.5m with roof)
- Heaviest Part

	0-20 kg	One person lift
X	21-40 kg	Two person lift
	41kg +	Machinery Assistance

Standards

AS/NZS 4422 - 1996, AS/NZS 4486.1, AS 4685 - 2014 pt1 - pt6

Applications

- Age Group - 4 to 8 years
- Level of Supervision - Young children should be supervised and inappropriate activities discouraged
- Playspaces - Public parks, schools, early childhood centres, commercial play areas
- Environment - Shade preferred for user comfort and protection.
- Salt air environments may reduce life of steel
- Vandalism Resistance - Low susceptibility

Pack Includes:

- 'Deckionary' Platform
- Shop Counter
- Steering Wheel
- Cash Register
- Steel Safety Fence
- Firemans Pole
- Tally Rail
- Wave Slide
- Grab Handles

Minimum Undersurfacing Requirements

